

Dominate the competition.
With a premium optical system.



Seeing beyond



ZEISS LRP S5
First Focal Plane Riflescopes
Product Brochure 2021-2022

zeiss.com/lrp-s5



A Premium Optical System

The competition is absolutely fierce in the PRS Pro Series. You are here to win this match – not just compete. To win, you must swiftly identify the target and bullet splash at distances up to 1,500 yards – and beyond.

You need a riflescope that provides an image that is bright, with excellent color contrast and

razor-sharp resolution. You require a truly daylight visible illuminated reticle. You demand 40 MRAD of elevation adjustment – with Ballistic Stop and an External Locking Windage Turret.

Shock tested to 1,500 g-force, the all-new ZEISS LRP S5 first focal plane riflescopes deliver all of this – and lots more.



Introducing ZEISS LRP S5 First Focal Plane Riflescopes

ZEISS introduces two all-new first focal plane riflescopes to help you dominate the competition and win the match. The ZEISS LRP S5 318-50 and 525-56 models represent the pinnacle of precision riflescopes available today.

Your demands for excellent optics at PRS and NRL competitions are met with the all-new LRP S5. Both models utilize a 34 mm main tube, European-style fast-focus eyepiece, Ballistic Stop elevation turret (with 40.7 MRAD or 140 MOA of total elevation travel), and an external locking windage turret.

The MRAD and MOA smart reticles offer fine-line structures with an open center aiming design, and they are supported with a truly daylight visible reticle illumination system. Other features include side parallax with 25 meters to infinity adjustment range and one of the most rigorously shock tested first focal plane riflescopes available.

Experience how you can dominate the competition with the best from ZEISS – the pioneer and leader in optics for 175 years.

175
years

When ZEISS started 175 years ago, we and our customers were inspired by curiosity, passion and precision – new perspectives that shaped how we looked at the world. To discover major challenges and turn them into great opportunities. Despite the many ways the world has changed over the past 175 years, one thing remains the same: Together, we challenge the limits of imagination.

ZEISS LRP S5 318-50 and 525-56

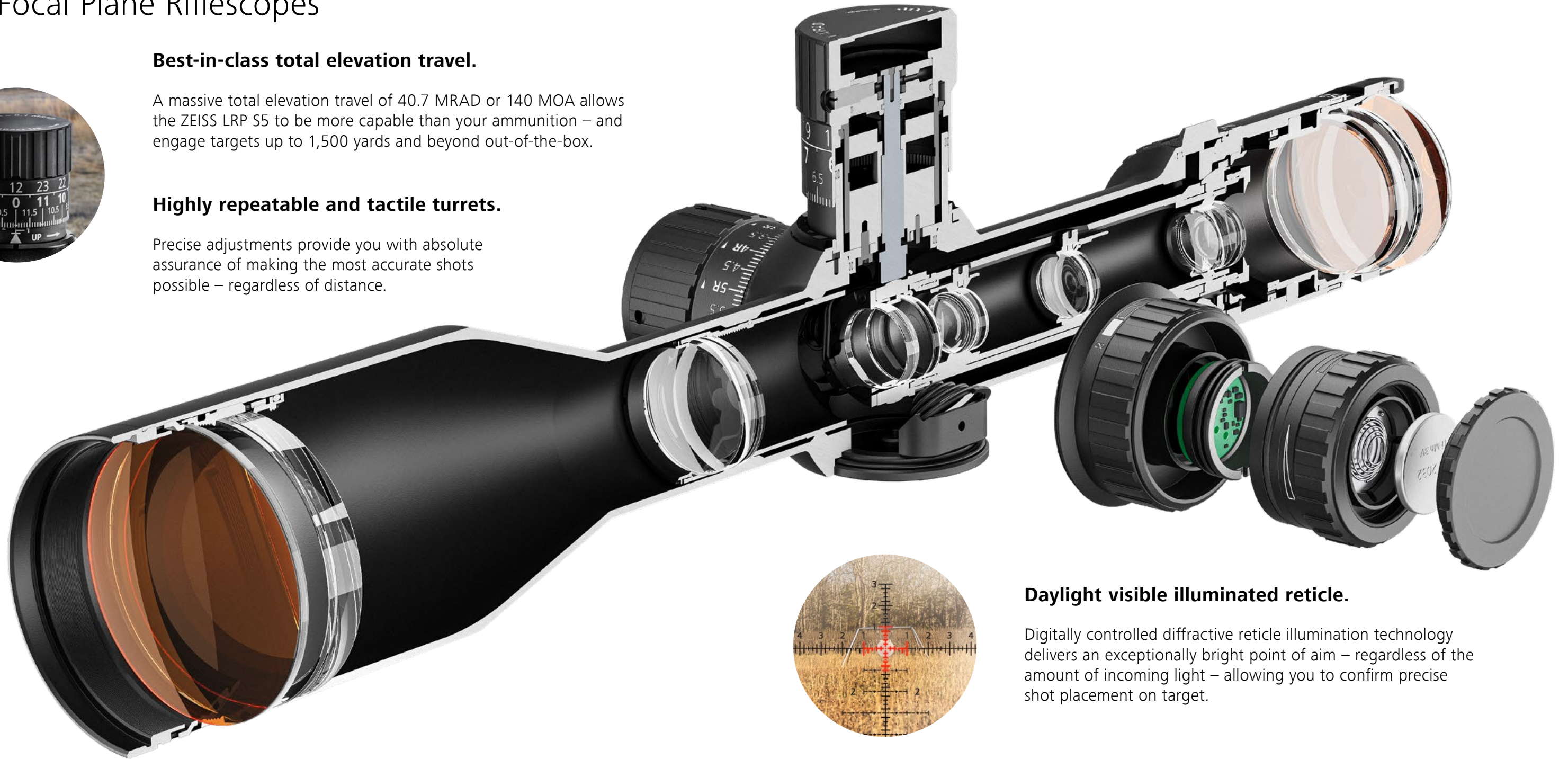
First Focal Plane Riflescopes

Best-in-class total elevation travel.

A massive total elevation travel of 40.7 MRAD or 140 MOA allows the ZEISS LRP S5 to be more capable than your ammunition – and engage targets up to 1,500 yards and beyond out-of-the-box.

Highly repeatable and tactile turrets.

Precise adjustments provide you with absolute assurance of making the most accurate shots possible – regardless of distance.



Daylight visible illuminated reticle.

Digitally controlled diffractive reticle illumination technology delivers an exceptionally bright point of aim – regardless of the amount of incoming light – allowing you to confirm precise shot placement on target.



High-performance optics.

Premium optical design with SCHOTT glass, fluoride lens elements, and T* (T-Star) coatings allows for optimum target or game identification, resolution of target and maximum light transmission of 90%.



Compact and heavy-duty riflescope.

Final validation of the design proves the ZEISS LRP S5 riflescopes withstand multiple shock tests of an enormous 1,500 g-force. Design requirements also include initial shock testing of over 800 impact cycles at 1,000 g-force.

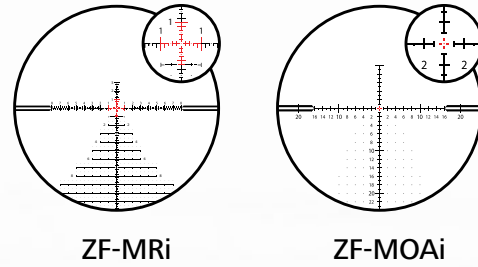


Model illustrated above is LRP S5 525-56

ZEISS LRP S5 318-50 and 525-56

First Focal Plane Riflescopes

Reticles:



ZF-MRi

ZF-MOAI

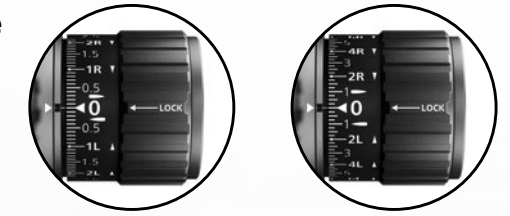
Elevation Turrets:



MRAD

MOA

Windage Turrets:



MRAD

MOA

Made in Germany

German designed, engineered, manufactured, and crafted – from the only brand with 175 years of optical authority: ZEISS.

Best-in-Class Total Elevation Travel

- 40.7 milliradian (MRAD)
- 140 minutes of angle (MOA)

Side Parallax Adjustment

- 25 meters to infinity
- Larger diameter for ideal control

Truly Daylight Visible Illuminated Reticle

- Diffractive reticle illumination technology
- Digitally controlled, infinitely variable intensity
- Automatic deactivation via timed and angle sensor
- Center-of-reticle illumination
- Powered by CR 2032 battery

Compact and Heavy-Duty

- 34 mm main tube mono-bloc housing
- Machined from solid aluminum billet T6-6082
- 3 mm main tube wall thickness
- Matte black, hard-coat anodized finish
- Shock tested to 1,500 g-force

Diopter Adjustment

- European-style fast focus
- +2/-3 diopter settings
- Easy adjustment for corrective vision

Tactile and Highly Repeatable Turrets

- Multi-turn, lifting design with enhanced engraving
- 0.1 MRAD or 0.25 MOA click value option
- Ballistic Stop turret – with dual row engraving
- One revolution equals 12 MRAD or 30 MOA
- External Locking Windage Turret (ELWT)

Smarter First Focal Plane Reticles

- Milliradian: ZF-MRi
- Minute of angle: ZF-MOAI
- Etched and chroma structures with highly intuitive designs
- Numerical indicators and reference marks for precise and fast target engagement

Premium Optical Design

- Fluoride (FL) lens elements
- SCHOTT glass
- 90% light transmission
- ZEISS T* (T-Star) multi-layer coating
- LotuTec® hydrophobic protective lens coating

OPTICS:

T* T* Six-Layer Lens Multi-Coating

LotuTec®

90% Light Transmission

TURRETS:

Side Parallax Adjustment

External Locking Windage Turret

Multi-Turn Turret

Ballistic Stop

0.1 MRAD

1/4 MOA

FEATURES AND ATTRIBUTES:

1ST 1st Focal Plane

Lightweight

400 MBAR Waterproof up to 400 mbar

Illuminated

34mm 34 mm Maintube

N₂ Nitrogen Purged

LIFETIME WARRANTY ZEISS Transferable Limited Lifetime Warranty and Transferable Five-Year No-Fault Policy

ZEISS FFP RETICLE

Milliradian: ZF-MRi

The ZF-MRi smart reticle was designed with professional input from active competitors and instructors. Its purpose is to dominate at PRS and NRL matches. The milliradian (MRAD) reticle incorporates a “tree-style” primary structure with useful hash marks, dots, and reference numbers – without the clutter. The points-of-aim and holds are represented in 0.2, 0.5, and 1.0 MRAD increments; and even numbers are displayed for fast and intuitive visual reference. If winning is your goal, then the ZF-MRi reticle was made for you.

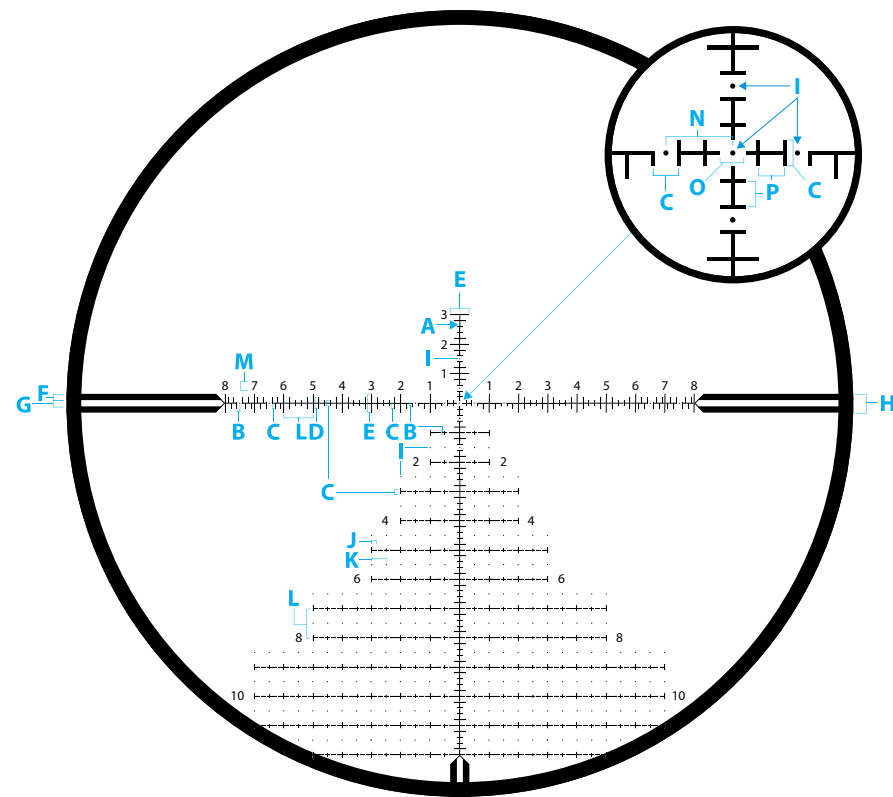
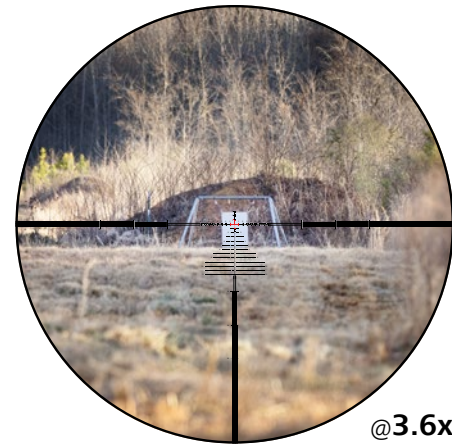


Image above is for illustration purposes

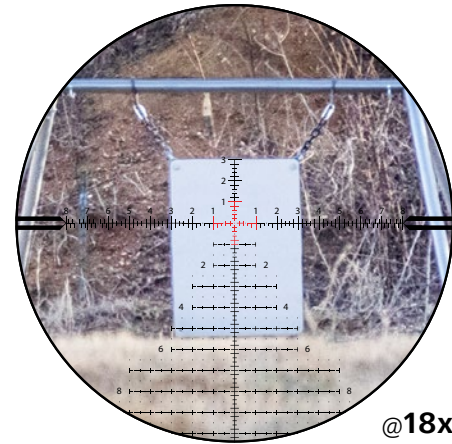
ZEISS LRP S5	318-50	525-56	Distance - H	0.6
UNIT OF MEASURE	MRAD		Dot Size - I	0.05 0.04
Line Thickness - A	0.04	0.03	Distance - J	0.2
Distance - B	0.1		Distance - K	0.5
Distance - C	0.2		Distance - L	1.0
Distance - D	0.4		Standard Number Size - M	0.3
Distance - E	0.6		Distance - N	0.5
Distance - F	0.2		Distance - O	0.2
Distance - G	0.2		Distance - P	0.2

Images to the right represent 22" x 30" target size at 100 yards.

ZEISS LRP S5 318-50 and 525-56 ZF-MRi Reticle Magnification Comparison



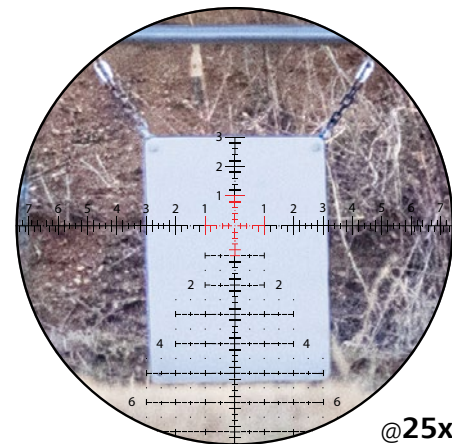
@3.6x



@18x

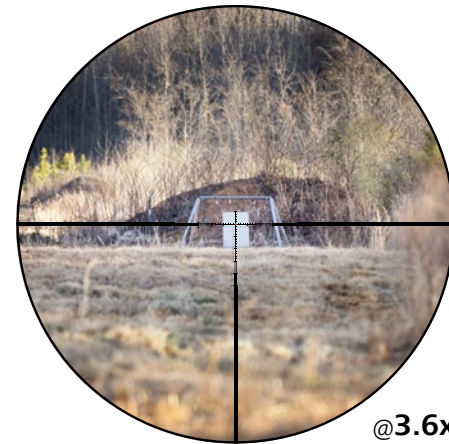


@5x

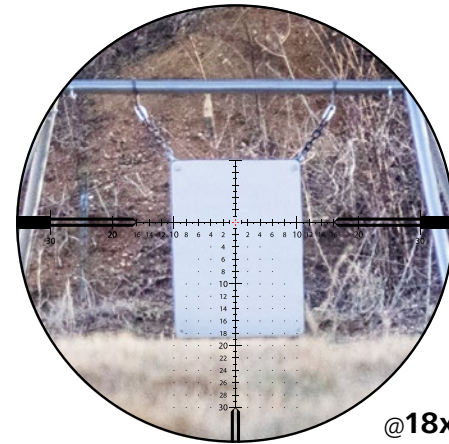


@25x

ZEISS LRP S5 318-50 and 525-56 ZF-MOAI Reticle Magnification Comparison



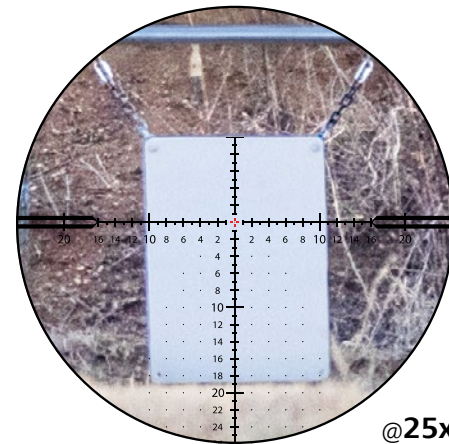
@3.6x



@18x



@5x



@25x

ZEISS FFP RETICLE

Minute of Angle: ZF-MOAI

The ZF-MOAI smart reticle was designed with precision shooting and long-range hunting in mind. This is a great reticle for the most challenging shots in the field and on the range. The clean and clutter-free reticle utilizes hash marks that represent 1 MOA (minute of angle), and even numbers are displayed for fast visual reference. The windage dots below centerline are placed at 2 MOA increments, so that you can easily confirm the wind's influence on the bullet's impact down-range. The floating center point of aim provides a precise hold on the most difficult targets.

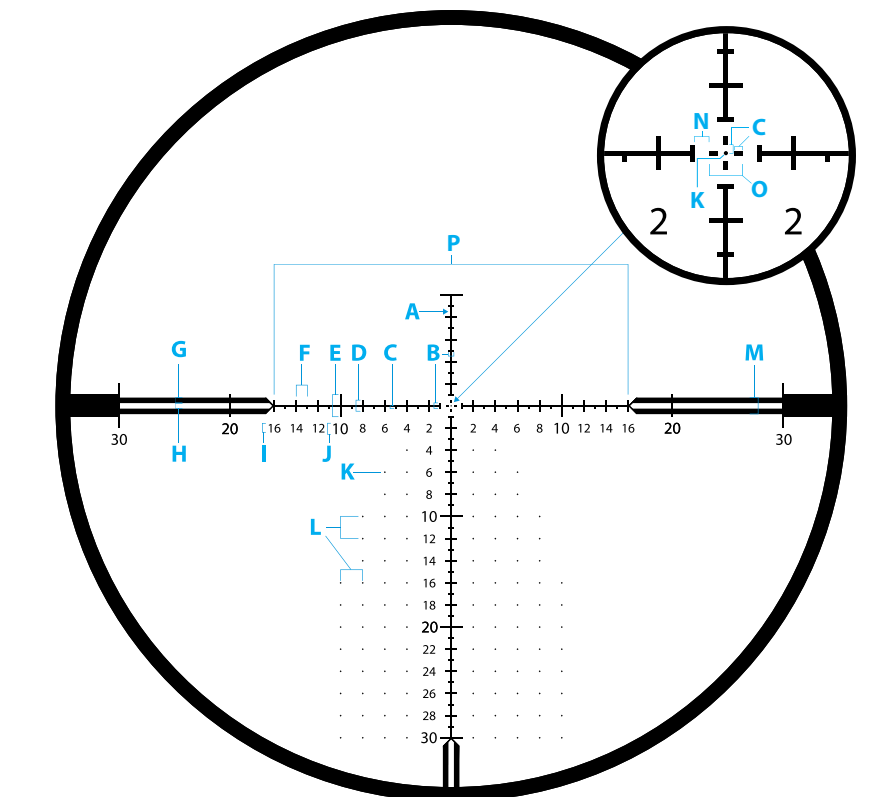
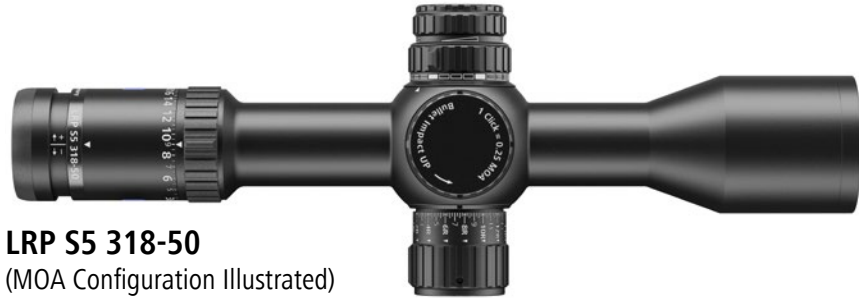


Image above is for illustration purposes

ZEISS LRP S5	318-50	525-56	Distance - H	0.5
UNIT OF MEASURE	MOA		Standard Number Size - I	0.75
Line Thickness - A	0.125	0.1	10, 20, 30 Number Size - J	1.0
Distance - B	0.5		Dot Size - K	0.125
Distance - C	0.25		Dot Spacing - L	2.0
Distance - D	1.0		Distance - M	1.5
Distance - E	2.0		Spacing around center cross - N	0.5
Distance - F	1.0		Distance - O	1.0
Distance - G	0.5		Distance - P	32

Images to the left represent 22" x 30" target size at 100 yards.

ZEISS LRP S5 First Focal Plane Riflescopes Specifications



LRP S5 318-50
(MOA Configuration Illustrated)



LRP S5 525-56
(MRAD Configuration Illustrated)



MOA Turret Option



MRAD Turret Option

ZEISS LRP S5 First Focal Plane Riflescopes		
Model	318-50	525-56
Magnification	3.6x – 18x	5x – 25x
Focal Plane	First Focal Plane (FFP)	
Effective Lens Diameter - Ocular	32 mm	32 mm
Effective Lens Diameter - Obj.	50 mm	56 mm
Exit Pupil Diameter	9.3 - 2.8 mm	9.2 - 2.4 mm
Twilight Factor	13.4 - 30	16.7 - 37.4
Field of View at 100 yds (ft)	30.0 - 6.0	22.5 - 4.5
Angular Field of View, Real	19.59° - 19.78°	20.36° - 20.48°
Diopter Range	+2.0 / -3.0	
Eye Relief	3.5 in	
Parallax Setting	27 yds – ∞	
Light Transmission Value	90%	
Elevation Adjustment Range	40.7 MRAD / 140 MOA	
Windage Adjustment Range	24 MRAD / 60 MOA	
Click Value	0.1 MRAD / 0.25 MOA	
Main Tube Diameter	34 mm	
Eyepiece Tube Diameter	46 mm	
Objective Tube Diameter	56 mm	62 mm
Objective Thread	M54 x 0.75 mm	M60 x 0.75 mm
Coatings	LotuTec® and ZEISS T* (T-Star)	
Fogproof	Nitrogen Purged	
Waterproof	400 mbar (submerged 13 ft for 2 hours)	
Operating Temperature	-13 / +133° F	
Length (at zero diopter setting)	13.5 in	15.6 in
Weight	930 g / 32.8 oz	1030 g / 36.3 oz
Diffractive Reticle Illumination	Yes (Digital, variable, angle sensor, auto off)	
Reticle Options (MOA)	ZF-MOAI	
Reticle Options (MRAD)	ZF-MRI	

Product Number	Description	Reticle Type
522265-9917-090	LRP S5 318-50 (MOA)	ZF-MOAI
522275-9916-090	LRP S5 318-50 (MRAD)	ZF-MRI
522285-9917-090	LRP S5 525-56 (MOA)	ZF-MOAI
522295-9916-090	LRP S5 525-56 (MRAD)	ZF-MRI

What do the professionals have to say?



Phil Cashin

PRS Pro Competitor and Owner of MasterPiece Arms

"I think ZEISS has hit a home run with this optic. Excellent turret design, easy to read markings, huge amounts of elevation travel and an outstanding reticle. The ZF-MRI reticle is perfectly designed for PRS/NRL style shooting: floating center dot, 0.2 subtensions and the diffractive illumination provide unique contrast, so the shooter does not get lost in the reticle. Plus the clutter-free tree design makes it easy to spot impacts and misses for follow-up shots."



Aaron Hipp

Top PRS Pro Competitor

"ZEISS has developed the ZF-MRI first focal plane reticle for PRS competition shooters. The design leverages 0.2 mil windage markings for precision holds and markings at 0.5 mils that quickly draw the shooter's eye for quick reference and use on those stages where time or rules don't allow dialing. The reticle provides more open space above centerline for easier spotting of bullet trace and impacts. The ZF-MRI reticle offers a great balance of all the key elements needed in a reticle that meets the most demanding needs of the competitive shooter."



Tom Beckstrand

Rifle and Optics Editor, Subject Matter Expert

"ZEISS is the oldest optics company in the world with 175 years of design and manufacturing under its belt. It is a recognized expert in premium optics and has dominated in other optical demographics for decades. These new scopes leverage all of the tribal knowledge they have acquired over almost two centuries and, for the first time, give it to the precision rifle shooter. I'm most excited about the well-designed turrets and reticles being paired with ZEISS' legendary image quality."



Greg Ray

Instructor for Long-Range Hunting and Shooting Schools and Owner of Outdoor Solutions

"As a hunter and owner of a long-range shooting school, I feel that ZEISS now offers the most comprehensive line-up of quality optics for hunters. I especially like the LRP S5 318-50 option with ZF-MOAI FFP reticle for long-range hunting. No more second guessing or checking to see if my magnification is set to the 'proper' power. The numerical references on the reticle, combined with the enhanced engraving on the elevation dial, greatly reduce the shooter's stress while in the field, when it matters most."

ZEISS LRP S5 318-50 and 525-56

Unrivaled products and accessories



Victory RF Binocular
Laser Rangefinder



Conquest HD 15x56



Victory Harpia 95



Conquest Gavia 85



ZEISS Precision Rings



Magnification
Throw Lever



ZEISS Lens Care Kit



Sunshades
50 mm and 56 mm



ZEISS Transferable Limited Lifetime Warranty and Transferable Five-Year No-Fault Policy

At ZEISS North America we back your Sports Optics purchase with a limited lifetime warranty as well as a 5-year no-fault policy – both fully transferable.

The warranty protects against defects in workmanship and materials in the Optical System for the life of the product, and in electronic components for five years from the date of purchase. Components (such as turrets) and accessories (such as lens caps) are warranted for one year from the date of purchase. If a ZEISS product has a defect covered by this warranty, we will either repair it, or replace it, with a new or reconditioned ZEISS product of comparable specifications. **Please note** that certain specialty products (such as stabilized binoculars and DTI thermal scopes) have shorter warranty periods.

ZEISS understands that accidents happen, so in addition to the limited lifetime warranty, we offer the added protection of our transferable Five-Year No-Fault Policy on **select Victory and Conquest products**. If you accidentally damage your product during normal and intended use within the first five years of the life of the product, we will either repair it, or replace it, at no cost to you.

To view the complete details of the Transferable ZEISS Limited Lifetime Warranty and Transferable Five-Year No-Fault Policy, please visit: zeiss.com/consumer-products/us/service.html

Customer Service

1-800-441-3005
info.sportsoptics.us@zeiss.com

Carl Zeiss SBE, LLC

Consumer Products
zeiss.com/precision-shooting



ZEISS LRP S5 Riflescopes
zeiss.com/lrp-s5

Join the ZEISS Hunting community.

Follow us online:



facebook.com/ZEISSHuntingUS



youtube.com/user/zeissportsoptics



[@ZEISSHunting](https://instagram.com/@ZEISSHunting)



Seeing beyond